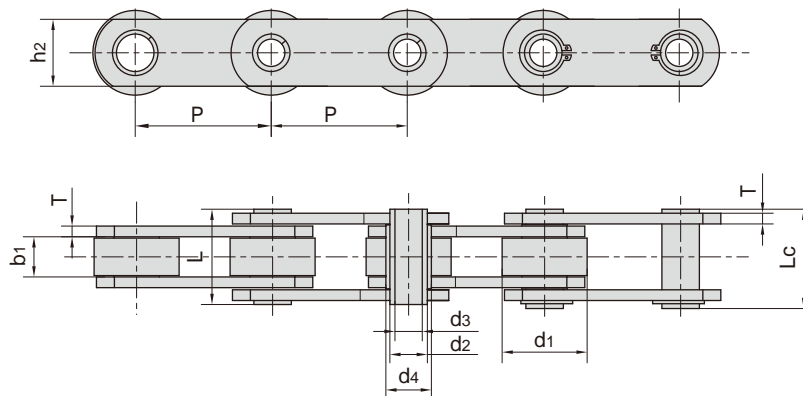


MC系列空心销轴输送链 Hollow pin conveyor chains (MC series)

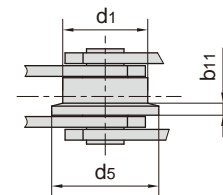
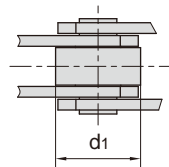
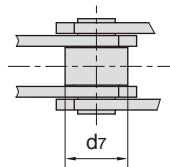
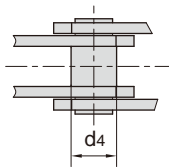


无滚子
without rollers

带S型小滚子
with S small rollers type

带P型大滚子
with P large rollers type

带F型带肩滚子
with F flanged rollers type



| DIN 链号 DIN Chain No. | 节距 Pitch | | | | | | 滚子尺寸 Roller dimesion | | | | 套筒直径 Bush diameter | 链板高度 Plate depth |
|-------------------------------|-------------|-------|-------|-------|-------|-------|----------------------------|-----------|-----------|------|--------------------------|------------------------|
| | P | | | | | | d1 max | d7 max | d5 max | b11 | d4 max | h2 max |
| | mm | | | | | | mm | mm | mm | mm | mm | mm |
| MC28 | 63.0 | 80.0 | 100.0 | 125.0 | 160.0 | - | 36.0 | 25.0 | 45.0 | 4.5 | 17.5 | 25.0 |
| MC56 | 80.0 | 100.0 | 125.0 | 160.0 | 200.0 | 250.0 | 50.0 | 30.0 | 60.0 | 5.0 | 21.0 | 35.0 |
| MC112 | 100.0 | 125.0 | 160.0 | 200.0 | 250.0 | 315.0 | 70.0 | 42.0 | 85.0 | 7.0 | 29.0 | 50.0 |
| MC224 | 160.0 | 200.0 | 250.0 | 315.0 | 400.0 | 500.0 | 100.0 | 60.0 | 120.0 | 10.0 | 41.0 | 70.0 |

| DIN 链号 DIN Chain No. | 内节内宽 Width between inner plates | 销轴直径 Pin diameter | | 销轴长度 Pin length | | 链板厚度 Plate thickness | 抗拉强度 Tensile strength | |
|-------------------------------|--|-------------------------|-----------|-----------------------|-----------|----------------------------|-----------------------------|-------------|
| | b1 min | d2 max | d3 min | L max | Lc max | T max | Q min | *Q min |
| | mm | mm | mm | mm | mm | mm | kN/lbf | kN/lbf |
| MC28 | 20.0 | 13.0 | 8.2 | 36.0 | 38.5 | 3.5 | 28.0/6364 | 40.0/9091 |
| MC56 | 24.0 | 15.5 | 10.2 | 45.0 | 47.5 | 4.0 | 56.0/12727 | 90.0/20454 |
| MC112 | 32.0 | 22.0 | 14.3 | 62.5 | 64.3 | 6.0 | 112.0/25454 | 180.0/40908 |
| MC224 | 43.0 | 31.0 | 20.3 | 83.0 | 85.5 | 8.0 | 224.0/50909 | 350.0/79544 |

*Q 表示热处理后的抗拉强度

*Q denotes the tensile strength after hardened