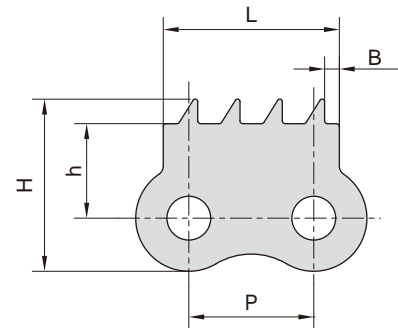


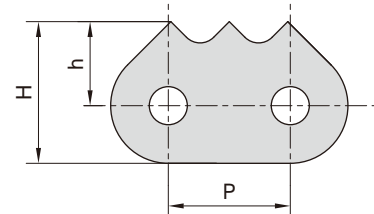
尖齿链

Sharp top chains

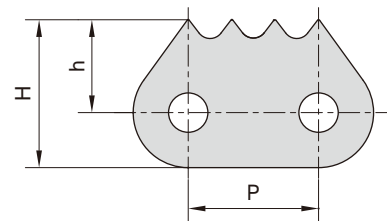
东华链号 Donghua Chain No.	P	h	H	B	L
	mm	mm	mm	mm	mm
08B-940	12.70	9.60	17.50	1.50	17.90



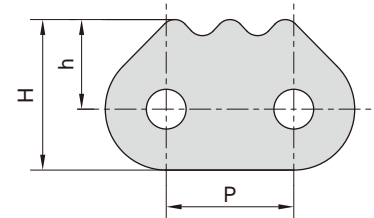
东华链号 Donghua Chain No.	P	h	H
	mm	mm	mm
16AF1	25.40	17.5	29.50
C16A-3PEP	25.40	17.4	29.00
C16BF3	25.40	18.7	29.20



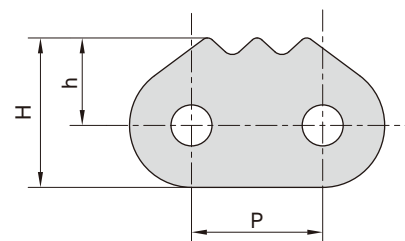
东华链号 Donghua Chain No.	P	h	H
	mm	mm	mm
12BF3	19.05	13.5	21.5
C16A-1170	25.40	16.5	28.0
16B-1170	25.40	16.0	26.5
16B-1172	25.40	15.0	25.5
C24B-4STC	38.10	18.3	35.0



东华链号 Donghua Chain No.	P	h	H
	mm	mm	mm
C60F2	19.05	13.38	22.48



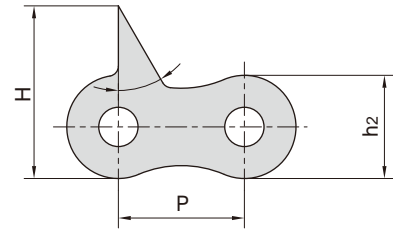
东华链号 Donghua Chain No.	P	h	H
	mm	mm	mm
12B-910	19.05	13.70	21.70
60-910	19.05	12.70	21.70
C16A-1-3PEPF1	25.40	17.50	29.50
C100-1-3STC	31.75	19.15	34.15
C24A-1-3STC	38.10	23.10	40.90



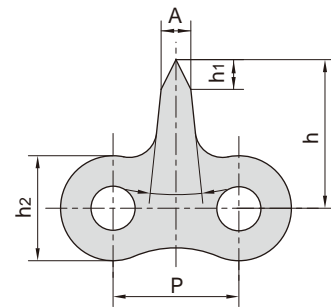
尖齿链

Sharp top chains

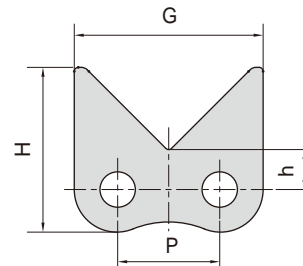
东华链号 Donghua Chain No.	P	h ₂	H	
	mm	mm	mm	
08A-D2-F1	12.7	10.4	17.4	30°
08AF34	12.7	10.4	17.9	30°



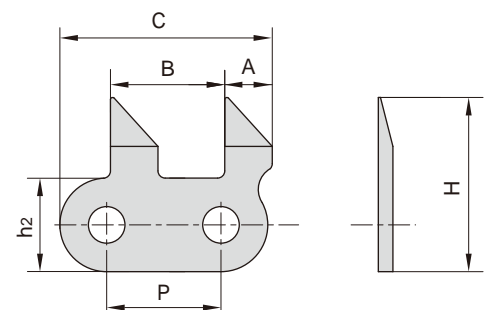
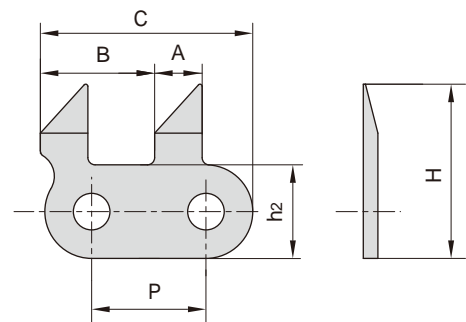
东华链号 Donghua Chain No.	P	h ₁	h ₂	h	A	
	mm	mm	mm	mm	mm	
08BF21	12.7	3.0	10.6	15.0	3.0	12°



东华链号 Donghua Chain No.	P	H	h	G
	mm	mm	mm	mm
08BF73	12.7	20.5	5.0	23.5



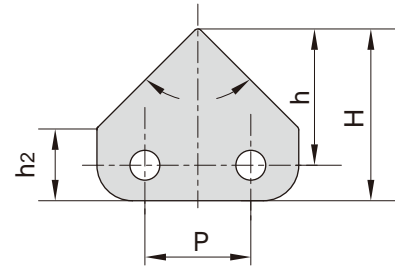
东华链号 Donghua Chain No.	P	A	B	C	h ₂	H
	mm	mm	mm	mm	mm	mm
10AF8	15.875	6.6	15.875	29.5	13.0	24.2



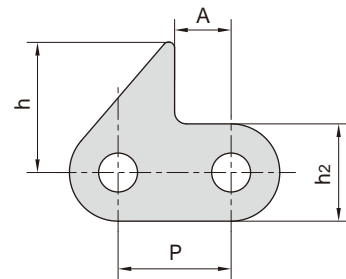
尖齿链

Sharp top chains

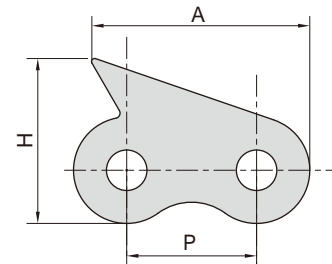
东华链号 Donghua Chain No.	P	H	h	h ₂	
	mm	mm	mm	mm	
41F6	12.7	20.6	16.35	8.70	90 °



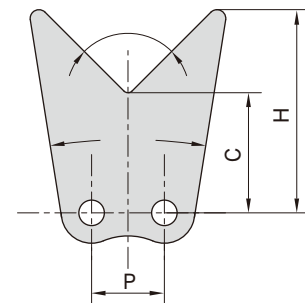
东华链号 Donghua Chain No.	P	h ₂	h	A
	mm	mm	mm	mm
06BF1	9.525	8.20	11.00	4.76
06BF37	9.525	8.20	10.00	4.76
08AF41	12.700	10.40	11.80	6.35
10AF78	15.875	15.09	16.88	9.72
16B-1STCF6	25.400	21.00	27.50	0.70
16BF97-STC	25.400	21.00	23.50	2.70
C210AH-1STCF1	31.750	15.00	13.50	20.00



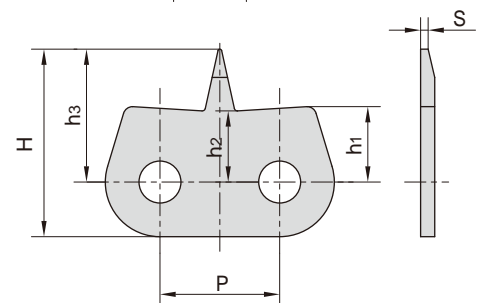
东华链号 Donghua Chain No.	P	H	A
	mm	mm	mm
08BF44	12.7	16.30	23.30
08AF8	12.7	16.13	21.34



东华链号 Donghua Chain No.	P	C	H		
	mm	mm	mm		
428HJF1	12.7	21.5	36.15	90 °	18 °
428HJF2	12.7	14.5	33.60	90 °	34 °



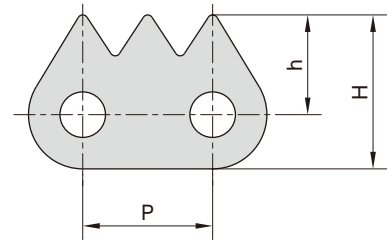
东华链号 Donghua Chain No.	P	h ₁	h ₂	h ₃	H	s
	mm	mm	mm	mm	mm	mm
08BF11	12.70	8.0	7.8	14.1	19.9	0.8



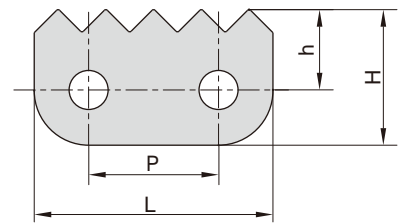
尖齿链

Sharp top chains

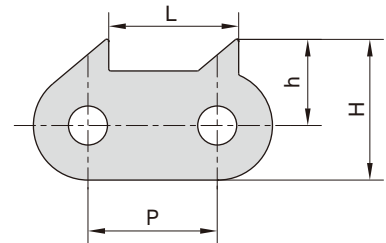
东华链号 Donghua Chain No.	P	h	H
	mm	mm	mm
08BF71	12.70	9.75	15.05



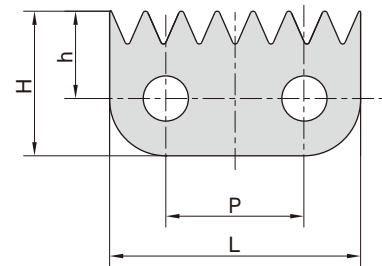
东华链号 Donghua Chain No.	P	h	H	L
	mm	mm	mm	mm
C10B-5STCF1	15.875	11.3	18.8	30.9
10AF41-2	15.875	11.5	19.0	30.9
12B-911	19.050	11.9	20.0	35.0



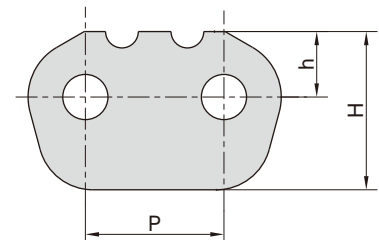
东华链号 Donghua Chain No.	P	h	H	L
	mm	mm	mm	mm
C12B-9010	19.05	13.00	21.00	19.05
C12B-940	19.05	13.20	22.30	19.75
C60-2STCF1	19.05	12.95	21.95	19.80
C60-2STCF2	19.05	13.30	22.40	19.80
C12B-1-9010	19.05	12.50	20.50	19.05
C16B-1160	25.40	17.00	27.50	25.40
C16B-1161	25.40	17.00	27.50	25.40
C16A-1160	25.40	18.00	29.50	25.40
C16A-1-1160F2	25.40	18.00	29.50	25.40
C24B-2STCF1	38.10	19.50	35.50	25.00



东华链号 Donghua Chain No.	P	h	H	L
	mm	mm	mm	mm
16B-1187	25.40	16.00	26.50	46.00



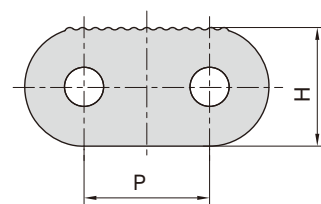
东华链号 Donghua Chain No.	P	h	H
	mm	mm	mm
16BF45	25.40	12.00	29.00



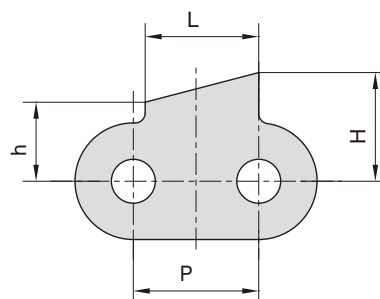
尖齿链

Sharp top chains

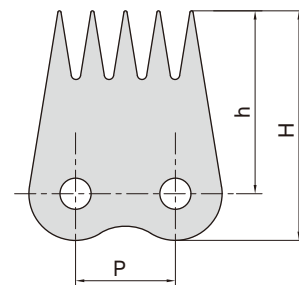
东华链号 Donghua Chain No.	P mm	H mm
C40-13STC	12.70	12.00



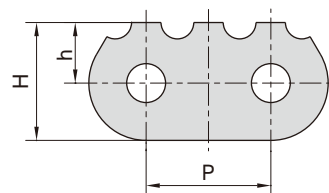
东华链号 Donghua Chain No.	P mm	h mm	H mm	L mm
08BF128	12.70	8.00	11.00	11.50



东华链号 Donghua Chain No.	P mm	h mm	H mm
12AF91	19.05	34.90	43.80



东华链号 Donghua Chain No.	P mm	h mm	H mm
60-911	19.05	9.25	18.00
60-912	19.05	9.20	17.95



东华链号 Donghua Chain No.	P mm	h mm	H mm
LL1044F1	15.875	8.73	15.08

