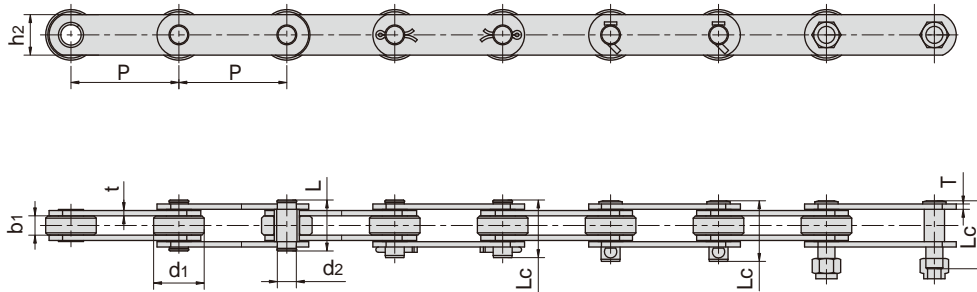


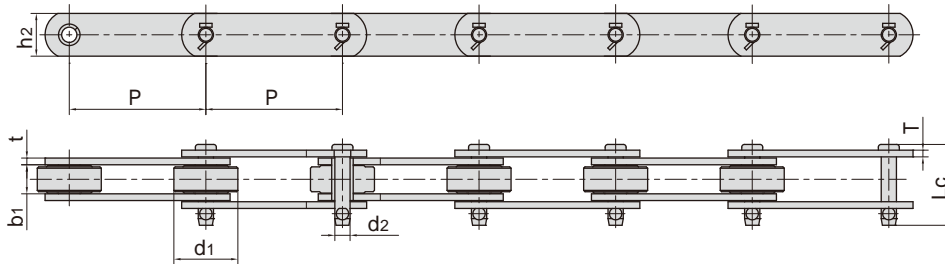
棕油链

Palm oil chains

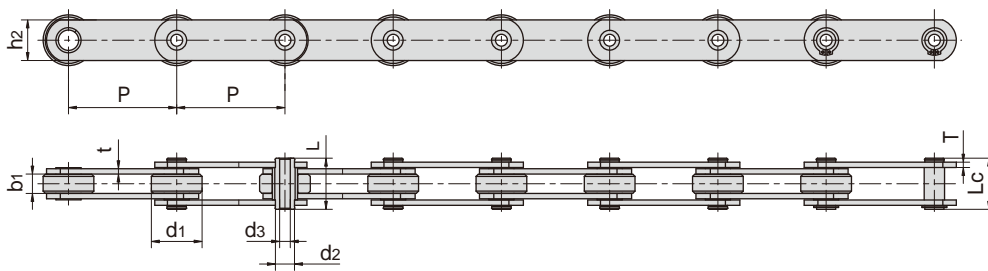


东华链号 Donghua Chain No.	节距	滚子直径	内节内宽	链板高度	销轴直径	销轴长度		链板厚度	抗拉强度	平均抗拉强度	每米长重
	Pitch	Roller diameter	Width between inner plates	Plate depth	Pin diameter	L	Lc	Plate thickness	Tensile strength	Average tensile strength	Weight per meter
	P	d1 max	b1 min	h2 max	d2 max	L max	Lc max	t/T max	Q min	Q0	q
	mm	mm	mm	mm	mm	mm	mm	mm	kN/lbf	kN	kg/m
P101.6F2	101.60	47.60	18.20	38.10	19.10	48.00	65.0	5.0	97.80/22000	107.58	6.75
PO101.6F12	101.60	47.50	19.00	40.00	19.10	45.80	52.5	5.0/4.0	130.00/29224	143.00	6.84
PO101.6F15	101.60	66.70	26.00	50.00	26.90	65.80	87.0	7.1	200.00/45454	200.00	15.10
P152F5	152.40	66.70	25.40	50.00	26.90	61.20	80.0	7.1	134.00/30123	147.40	12.16
P152F14	152.40	47.60	18.20	38.10	19.10	48.00	52.0/50.5	5.0	89.00/20000	97.90	5.66
P152F17	152.40	66.70	25.40	50.80	27.00	67.50	95.0	8.0	163.30/36710	179.60	12.83
P152F29	152.40	66.70	25.40	50.80	27.00	69.50	111.5	9.0/8.0	200.00/45454	220.00	13.54
PO152F1	152.40	88.90	38.10	70.00	32.00	93.80	101.5	12.0/9.5	444.53/99930	488.98	30.28
PO152F3	152.40	66.70	25.40	50.80	27.00	-	110.0	8.0	163.30/36710	180.00	13.50
PO152F4	152.40	69.85	38.10	57.15	21.84	101.00	110.0	12.7	440.00/98912	484.00	22.77
PO152F7	152.40	88.90	38.00	61.00	31.80	83.50	92.0	10.0/8.0	380.00/85242	418.00	23.50
PO152F17	152.40	66.70	25.40	50.80	27.00	67.50	78.0	8.0	163.30/36710	179.63	12.83
PO152F22	152.40	66.70	26.00	50.00	27.00	59.30	69.8	7.0/5.0	200.00/45454	220.00	10.90
PO152F23	152.40	66.70	26.00	50.00	26.90	61.80	69.1	7.1/5.1	200.00/45454	220.00	10.90
PO152F24	152.40	88.90	38.00	60.00	32.00	85.40	96.0	10.0/8.0	380.00/85242	418.00	23.00
PO152F25	152.40	88.90	38.00	60.00	32.00	89.40	120.3	10.0	380.00/85242	418.00	24.20
PO152F26	152.40	66.70	26.00	50.00	26.90	65.80	87.0	7.1	200.00/45454	220.00	11.90
PO152F27	152.40	66.70	25.40	50.80	27.00	71.50	99.0	9.0	267.00/60022	293.70	14.00

棕油链 Palm oil chains

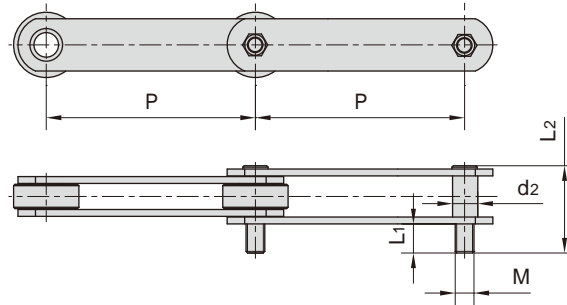


东华链号 Donghua Chain No.	节距	滚子直径	内节内宽	链板高度	销轴直径	销轴长度	链板厚度	抗拉强度	平均抗拉强度	每米长重
	Pitch	Roller diameter	Width between inner plates	Plate depth	Pin diameter	Pin length	Plate thickness	Tensile strength	Average tensile strength	Weight per meter
	P	d1 max	b1 min	h2 max	d2 max	Lc max	t/T max	Q min	Q0	q
	mm	mm	mm	mm	mm	mm	mm	kN/lbf	kN	kg/m
P76.7	76.20	29.00	30.00	38.10	14.50	73.00	6.3	100.00/25000	110.00	8.25
90R-S	101.60	47.60	21.40	31.80	11.32	55.70	4.8	80.36/18065	88.40	5.90
P101.6F2(e)	101.60	47.60	18.20	38.10	19.10	57.00	5.0	97.80/21985	107.58	6.94
P101.6F64	101.60	50.80	30.00	38.10	14.50	69.00	6.3	132.70/29831	146.00	7.30
P152F5(b)	152.40	66.70	25.40	50.00	26.90	68.50	7.1/5.1	134.00/30123	147.40	11.50
P152F31	152.40	88.90	38.10	61.00	31.80	98.50	10.0	266.72/60000	293.00	26.60
P160F16	160.00	69.85	38.10	50.80	27.00	101.00	9.0/8.0	267.00/60022	293.70	16.60
P160F27	160.00	69.85	38.10	50.80	17.53	81.00	6.3	244.00/54851	268.40	13.68

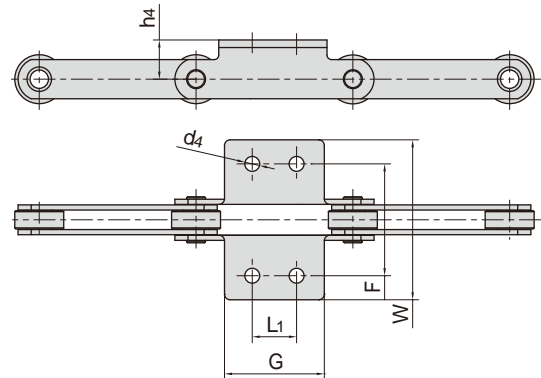
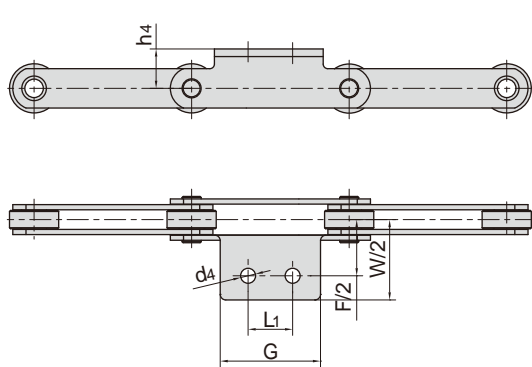


东华链号 Donghua Chain No.	节距	滚子直径	内节内宽	链板高度	销轴直径		销轴长度		链板厚度	抗拉强度	平均抗拉强度	每米长重
	Pitch	Roller diameter	Width between inner plates	Plate depth	Pin diameter	Pin diameter	Pin length	Pin length	Plate thickness	Tensile strength	Average tensile strength	Weight per meter
	P	d1 max	b1 min	h2 max	d2 max	d3 min	L max	Lc max	t/T max	Q min	Q0	q
	mm	mm	mm	mm	mm	mm	mm	mm	mm	kN/lbf	kN	kg/m
P101.6F2-HP	101.60	47.60	18.20	38.10	19.10	13.20	44.8	46.5	5.0	66.68/14990	73.35	6.18
P152F3(New)	152.40	66.70	25.40	50.80	27.00	20.10	65.5	67.0	8.0	163.30/36710	179.60	11.73
P152F29-HP	152.40	66.70	25.40	50.80	27.00	20.10	68.5	70.0	9.0/8.0	222.30/49973	244.53	12.40
P0152F6-HP	152.40	66.70	26.00	55.00	27.50	19.43	60.0	62.5	7.5/5.5	220.00/49456	242.00	11.10

棕油链 Palm oil chains



东华链号 Donghua Chain No.	节距 Pitch	销轴直径 Pin diameter	螺纹直径 Diameter of thread	加长销加长部分尺寸 Extended part size of the extended pin	销轴长度 Pin length	加长销装配方式 Assembly method of the extended pin
	P	d_2 max	M	L1	L2 max	
	mm	mm	mm	mm	mm	
P101.6F2	101.60	19.10	M16	36.00	80.00	每节、每4节、 每6节、每8节等 every link every 4 link every 6 link every 8 link etc
P152F5	152.40	26.90	M20	24.00	80.00	
P152F17	152.40	27.00	M24	50.00	115.00	
PO152F1	152.40	32.00	M30	64.00	154.00	
PO152F3	152.40	27.00	M20	45.00	110.00	
PO152F4	152.40	21.84	0.75 - UNC - 2	88.10	134.10	
PO152F25	152.40	32.00	M24	50.00	136.00	



东华链号 Donghua Chain No.	P	L1	G	F	W	d_4	h_4
	mm	mm	mm	mm	mm	mm	mm
90R-S	101.60	31.80	63.50	89.00	124.00	15.90	10.70
P101.6F2	101.60	31.80	71.60	88.80	123.40	31.80	10.70
P101.6F2K2(d)	101.60	40.00	70.00	78.00	105.00	32.00	11.50
P152F17	152.40	57.20	106.70	116.00	154.00	38.10	12.30
P152F29	152.40	57.20	106.70	118.00	156.00	38.10	12.30
P76.7	76.70	-	47.00	111.10	145.00	25.40	12.00